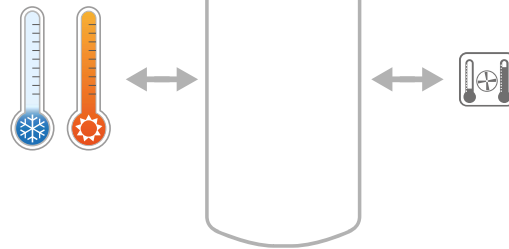


VOLANO TERMICO PDC

BUFFER TANK FOR HEAT PUMP



PRESSURE	TEMPERATURE
Pmax 4 bar	Tmax -10 / +95 °C



See TECHNICAL SUPPORT chapter for example of installation

TECHNICAL DESCRIPTION

Buffer either for hot or cold water provided by heat pump, in order to limit the generator on/off switchings.

MATERIAL

Mild steel.

EXTERNAL LINING

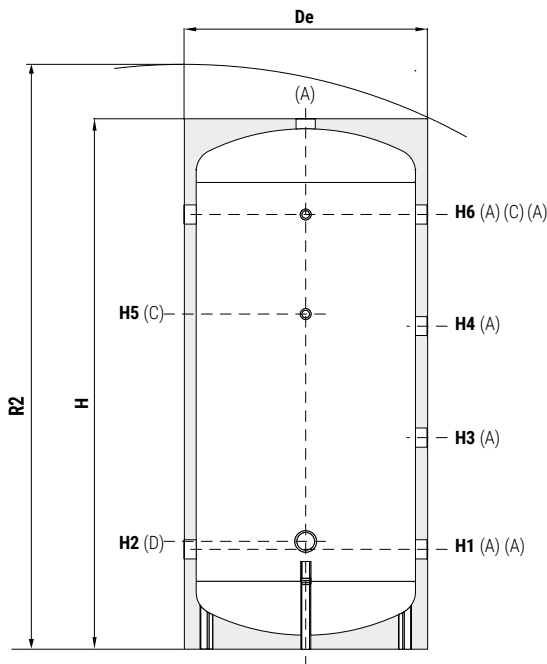
Grey PVC.

INSULATION

High thermal insulation with ecological polyurethane hard foam.

WARRANTY

2 years-See general sales conditions and warranty.



- A** To the System
- C** Connection for instrumentation 1/2" F
- D** Connection for electric immersion heater 1" 1/2 F

VOLANO TERMICO PDC

ENERGY EFFICIENCY CLASS

Model	Art. Nr.	Price €	ErP
MILD STEEL BUFFER TANK (suitable for heat pump)			
100	3001162311001	452,00	C
200	3001162311002	575,00	C
300	3001162311003	723,00	C
500	3001162311004	995,00	C

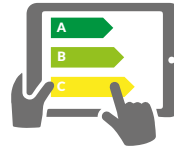
Model	Art. Nr.	Price €	ErP
12 unit box			
100	300116231100712	4.294,00	C

VOLANO TERMICO PDC (B class)

ENERGY EFFICIENCY CLASS

Model	Art. Nr.	Price €	ErP
MILD STEEL BUFFER TANK (suitable for heat pump)			
500	3001162311014	1.058,00	B

cordivari.com/erp



On line ErP label tool



CORDIVARI Lab

TÜV Rheinland Energie und Umwelt GmbH states that test procedures and Cordivari LAB are certified conforming to European standard EN 15332, as indicated by Ecodesign ErP Directive.



Model	Volume [lt]	Weight [Kg]	De	H	R2	H1 [mm]	H2	H3	H4	H5	H6	A
100	95	23	461	990	1100	206	246	374	543	511	711	1"
200	180	41	517	1289	1395	206	246	489	793	836	1086	1"
300	280	51	624	1346	1490	256	276	536	816	846	1096	1"1/4
500	478	76	725	1641	1800	271	291	634	998	1091	1361	1"1/4

Model	Volume [lt]	Weight [Kg]	De	H	R2	H1 [mm]	H2	H3	H4	H5	H6	A
500 (B)	478	76	750	1641	1810	271	291	634	998	1091	1361	1"1/4

HEATING/COOLING BUFFER TANKS

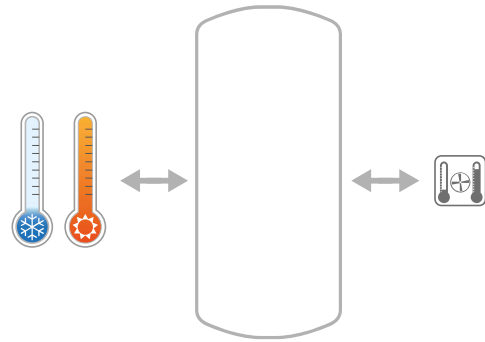
P.E.D. product designed and produced in conformity to the article 4.3 of directive 2014/68/UE - ErP Ecodesign directive 2009/125/CE

VOLANO TERMICO GREZZO GC VT

BUFFER TANK FOR HEATING AND COOLING SYSTEMS WITH INCREASED INSULATION



PRESSURE	TEMPERATURE
Pmax 6 bar	Tmax -10 / +90 °C



APPLICATION AND TECHNICAL DESCRIPTION

The buffer tanks VOLANO TERMICO GREZZO GC VT with increased insulation for reversible heating/cooling systems are intended for systems that work for the whole year, in which in Summer there is the need to accumulate chilled water and in Winter hot heating water.

These accumulators improve the efficiency of the system by limiting the number of hourly ignitions of the generator (whether chiller, heat pump or conventional generator) and, increasing the thermal inertia of the circuit, allowing to obtain more stable operating temperatures.

MATERIAL

Mild steel painted on the outside.

EXTERNAL LINING

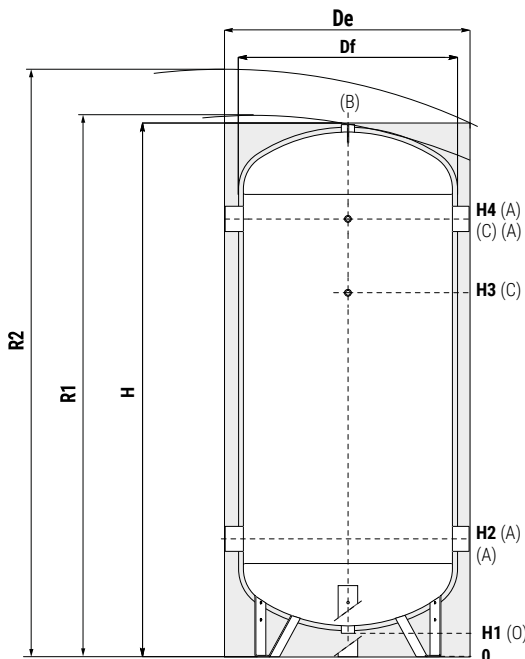
Grey PVC external lining with plastic black caps for connections.

INSULATION

Increased insulation: Internal insulation layer with closed cell polyethylene of 20 mm not self-extinguishing fixed to the tank body (not removable) coupled with an external layer of insulation of polyester fiber, thickness with high thermal insulation, material with fire resistance class B s2d0 in accordance with EN13501

WARRANTY

2 years-See general sales conditions and warranty.



VOLANO TERMICO GREZZO GC VT

ENERGY EFFICIENCY CLASS

Model	INSULATION 20 mm NOT SELF-EXTINGUISHING + Polyester fleece		ENERGY EFFICIENCY CLASS
	Art. Nr.	Price €	
500	3001162150004	1.095,00	C
800	3001162150005	1.620,00	C
1000	3001162150006	2.024,00	C
1500	3001162150007	2.596,00	C
2000	3001162150008	3.310,00	C
2500	3001162150009	3.730,00	
3000	3001162310510	4.380,00	
4000	3001162310511	6.122,00	
5000	3001162310512	7.814,00	

A	To the System
B	Safety Valve
C	Connection for instrumentation 1/2" F
O	Drain

Model	Weight [Kg]	Volume [lt]	Df	De	H	R1	R2	H1	H2	H3	H4	B-O	A
500	101	501	690	910	1810	1821	2030	121	441	1241	1491	1"1/4	3"
800	147	788	790	1010	2108	2119	2340	108	458	1458	1758	1"1/4	3"
1000	170	1034	890	1110	2162	2178	2440	96	479	1479	1779	1"1/2	3"
1500	183	1432	990	1250	2351	2386	2670	121	490	1700	2000	2"	3"
2000	219	1970	1140	1400	2421	2437	2800	105	509	1719	2019	2"	3"
2500	274	2300	1290	1390	2289	2304	2680	149	619	1519	1819	2"	4"
3000	321	2908	1290	1390	2804	2826	3130	149	619	1919	2319	2"	4"
4000	442	3749	1440	1540	2878	2904	3270	133	648	1948	2348	2"	4"
5000	565	4964	1640	1740	2916	2948	3400	111	656	1956	2356	2"	4"